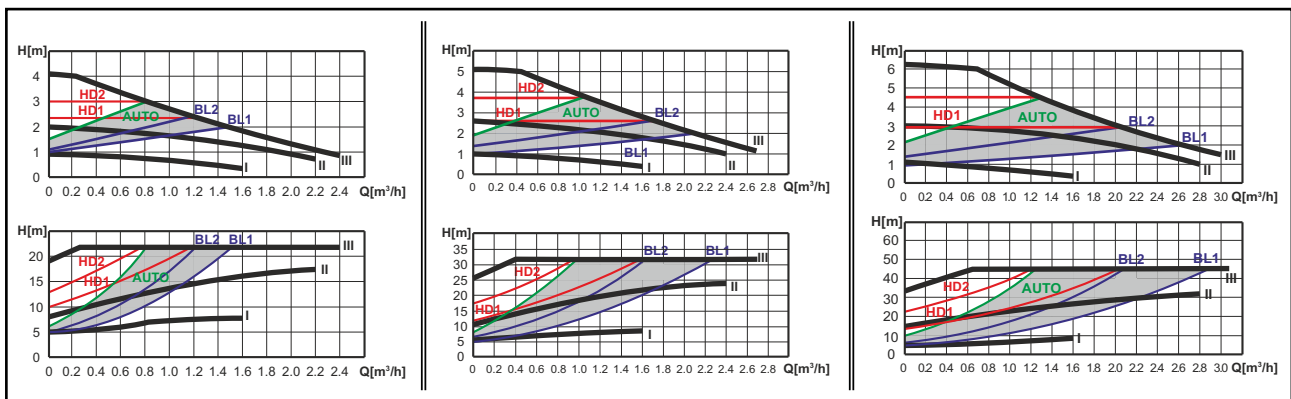




FGD Series High Efficiency Circulation Pumps 50Hz

PERFORMANCE CURVES



FGD XX -4

FGD XX -5

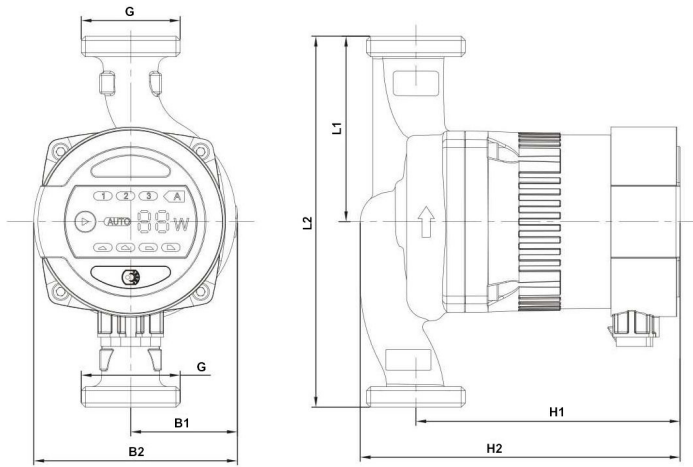
FGD XX -6

SPECIFICATION

Model	Power [W]	Current [A]	Max. Head [m]	Max. Flow [m³/h]	Discharge [Inch]	Material of pump body
FGD 20-4P	5-22	0.05 - 0.19	4	2.3	1"	Plastic
FGD 20-4				2.5	1"	Cast Iron / Copper / Stainless steel
FGD 25-4				2.5	1 ½"	Cast Iron / Copper / Stainless steel
FGD 32-4				3	2"	Cast Iron
FGD 20-5P	5-32	0.05 - 0.27	5	2.5	1"	Plastic
FGD 20-5				2.5	1"	Cast Iron / Copper / Stainless steel
FGD 25-5				3	1 ½"	Cast Iron / Copper / Stainless steel
FGD 32-5				3.5	2"	Cast Iron
FGD 20-6P	5-45	0.05 - 0.38	6	2.5	1"	Plastic
FGD 20-6				2.5	1"	Cast Iron / Copper / Stainless steel
FGD 25-6				3	1 ½"	Cast Iron / Copper / Stainless steel
FGD 32-6				3.5	2"	Cast Iron

- All technical information are subject to change without further notice.

DIMENSIONS AND WEIGHT

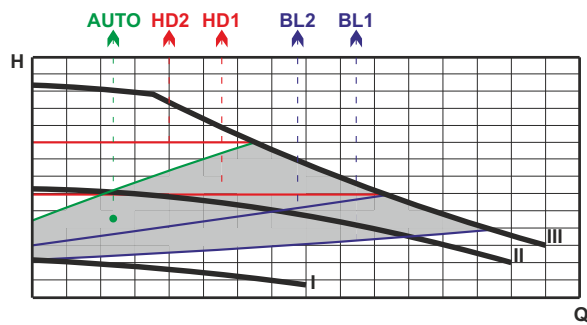


DIMENSIONS AND WEIGHT


Model	Dimensions [mm]							Weight [kg]	
	L1	L2	B1	B2	H1	H2	G	G.W	N.W
FGD 20-4P	65	130	47	93	131	158	1"	1.9	1.4
FGD 20-4	65	130	51	98	133	153	1"	2.4	1.9
	75	150	49	96	131	155	1"	2.5	2.0
FGD 25-4	65	130	52	99	128	156	1 ½"	2.9	2.1
	75	150	49	96	131	155	1 ½"	3.1	2.3
	90	180	52	99	128	156	1 ½"	3.2	2.4
FGD 32-4	90	180	52	99	128	156	2"	3.5	2.5
FGD 20-5P	65	130	47	93	131	158	1"	1.9	1.4
FGD 20-5	65	130	51	98	133	153	1"	2.4	1.9
	75	150	49	96	131	155	1"	2.5	2.0
FGD 25-5	65	130	52	99	128	156	1 ½"	2.9	2.1
	75	150	49	96	131	155	1 ½"	3.1	2.3
	90	180	52	99	128	156	1 ½"	3.2	2.4
FGD 32-5	90	180	52	99	128	156	2"	3.5	2.5
FGD 20-6P	65	130	47	93	131	158	1"	1.9	1.4
FGD 20-6	65	130	51	98	133	153	1"	2.4	1.9
	75	150	49	96	131	155	1"	2.5	2.0
FGD 25-6	65	130	52	99	128	156	1 ½"	2.9	2.1
	75	150	49	96	131	155	1 ½"	3.1	2.3
	90	180	52	99	128	156	1 ½"	3.2	2.4
FGD 32-6	90	180	52	99	128	156	2"	3.5	2.5

• All technical information are subject to change without further notice.

Relation between operation model and performance



Relation between operation model and performance

Setting	Performance Curve	Function
AUTO (Factory setting)	Proportional pressure curve descending from highest to lowest	The Autoadapt function automatically controls the pump performance within the specified performance range. 1- Adjusting pump performance according to the system sizing. 2- Adjusting pump performance according to the variation of load history. When it comes to autoadapt, the control mode of the pump is proportional pressure control.
BL1	Min. Proportional Pressure curve	The operating performance point of the pump moves forward or backward along the minimum proportional pressure curve, depending on the heat demand. The pressure of pump decreases at falling heat demand and increases at rising heat demand.
BL2	Max. Proportional Pressure curve	The operating performance point of the pump moves forward or backward along the maximum proportional pressure curve, depending on the heat demand. The pressure of pump decreases at falling heat demand and increases at rising heat demand.
HD1	Min. constant pressure curve	Based of the heat demand of the system, the operating performance point of the pump moves in or out the minimum constant pressure curve. The pressure of the pump stay remain, irrespective of the flow.
HD2	Max. constant pressure curve	Based of the heat demand of the system, the operating performance point of the pump moves in or out the maximum constant pressure curve. The pressure of the pump stay remain, irrespective of the flow.
III	Rate III	The pump run at certain speed and performs a constant curve. For rate III mode, it means the pump performs the maximum curve under all operating conditions. To set the pump to rate III mode for only a short period of time means rapid pump venting.
II	Rate II	The pump run at certain speed and performs a constant curve. For rate II mode, it means the pump performs the medium curve under all operating conditions.
I	Rate I	The pump run at certain speed and performs a constant curve. For rate I mode, it means the pump performs the minimum curve under all operating conditions.
	Night mode	Electric pump night mood button and display.